



MODUL Basis 2 Arm

Two-arm turnstile with enclosed stainless steel housing

Especially well suited for high-traffic indoor access points in exhibition halls, stadiums, event halls and public transport.

- Card readers/collectors can be installed
- Escape-route suitable
- Pre-assembled on delivery
- Single or bidirectional operation
- Reversible entry direction
- High traffic capacity
- High quality and long service life
- Vandalism-resistant
- Secure traffic separation
- Integrated LOGITURN control unit
- Maintenance-free mechanism
- Traffic counter
- Extensive line of accessories

Functional Description:

The motorized, escape-route suitable 2-arm Modul Basis turnstile, with its fully enclosed, high-quality, robust, vandal-proof stainless steel portal housing, is especially well suited for use in a battery of turnstiles at high-traffic indoor access points. The housing provides space for card reader installation.

Modul Basis can be used for single or bidirectional operation and is available as the classic 3-arm turnstile or as an escape-route suitable Open Gate to block only in case of abuse (see specific product sheet).

A large selection of specialty equipment means it can be tailored to individual requirements.

Application Areas:

- Building Access Control
- Exhibition Centers
- Event Venues / Stadiums
- Public Transport

Technical Characteristics:

Power Supply:	230 V ~ 50-60 Hz
Power Consumption:	max. 50 VA
Storage Temperature:	-40°C bis +40°C
Operating Temperature:	+5°C bis +50°C
Width / Lane Width:	275 mm/565 mm
Length:	1.224 mm
Height:	1.025 mm
Mass:	70 kg
Reader Interface:	Floating Contacts
Material:	CrNi Steel Type 1.4301

Models:

6P430: Modul Basis 3-Arm

6P441: Modul Basis 2-Arm

Extras:

21685: Foundation Assembly for non-sustainable floors

21781: Presence Sensor

21782: Climb-over / Crawl-under Protection

21775: Red/green Lane Indicator

21770: Red/green Release Light

61950: External Operating Console

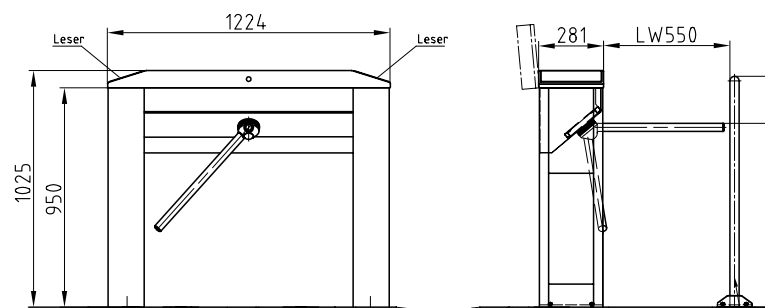
21699: Factory Reader Installation

Suitable By-Products:

60960: Ikarus Baden Motorized Gate

21100: Manual Gate

21060: Guide Rail



Lane Divider optional